

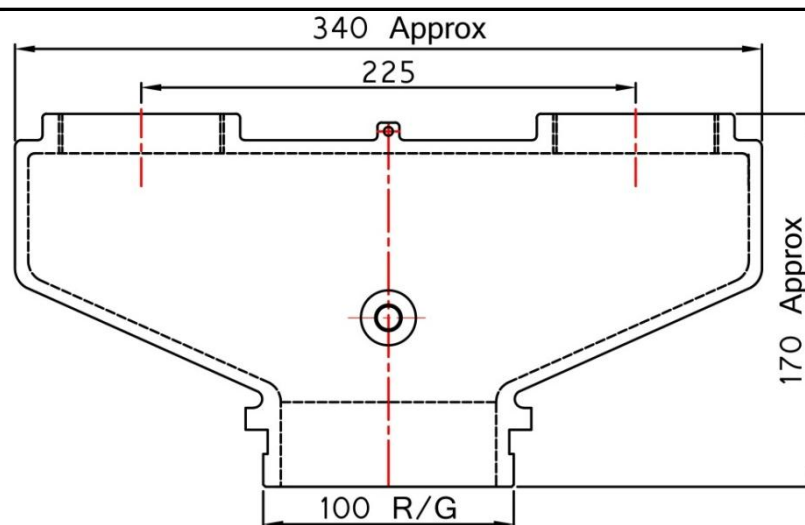
## Hydrant Booster-Rear Entry with CFA/NSW/MFB/QRT/SA/BI Inlets & Roll Groove Outlet



The Hydrant Boosters provide the access to fire brigades for supplying the sufficient water as quickly & Efficiently as possible. The inlets are provided with any required Fire brigade connections such as CFA/NSW/MFB/QRT/SA with caps & the outlet is with 4" roll groove connection for the ease of connectivity. The booster supplied by Fire Australia Co. complies to AS 2419.3.

### STANDARD SPECIFICATIONS:

- BODY MATERIAL** : SS 304 Stainless Steel
- COMPLY TO** : AS 2419.3-2012
- TYPE** : REAR ENTRY- DUAL INLET
- OUTLET CONNECTION** : 100mm ROLL GROOVE
- INLET CONNECTION** : CFA/NSW/MFB/QRT/SA/BI



**Approvals: AS/NZS 2419.3-2012  
(AS PER LATEST STANDARD)**

**Fire Australia Co Pty Ltd.**

ABN No. 13165523713

5/47, Rushdale St. Knoxfield VIC-3180

Tel:(03) 9764 0020, Fax: 9764 0023. E-mail: [sales@fireausco.com.au](mailto:sales@fireausco.com.au)

FA-HB/06/16