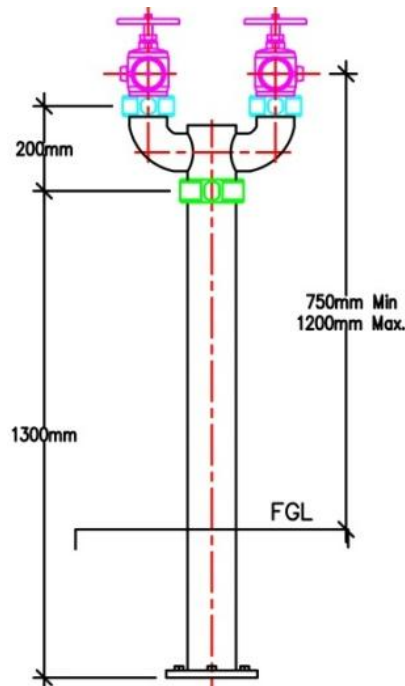


100mm Dual Hydrant Riser**PRODUCT CODE**

1] 100WDHRFLBI WA DUAL HYDRANT RISER FLANGED END WITH BI

APPROVALS

- 1] Comply to - AS 2419
- 2] Hydrant Valves - AS 2419.2-2009 & Water Marked
- 3] Pipe & Flange - Hot Dip Galvanized
- 4] R/G Couplings - UL/FM Approved



Approvals: AS/NZS 2419.2-2009

WORKING PRESSURE

- 1] Hydrant Valves - 1850 kPa
- 2] R/G Couplings - 2068 kPa

AVAILABLE OPTIONS

- 1] Grooved end connection in place of Flanged end connection.
- 2] Tailor made Riser heights

Fire Australia Co. Pty Ltd.

ABN No. 13165523713

5/47, Rushdale St. Knoxfield VIC-3180

Tel:(03) 9764 0020, Fax: 9764 0023. E-mail: sales@fireausco.com.au

FAC-DHR/7/15